

**User's Manual Addendum**  
**Standard A1 Arm Mounted to Ultra 180 arm**

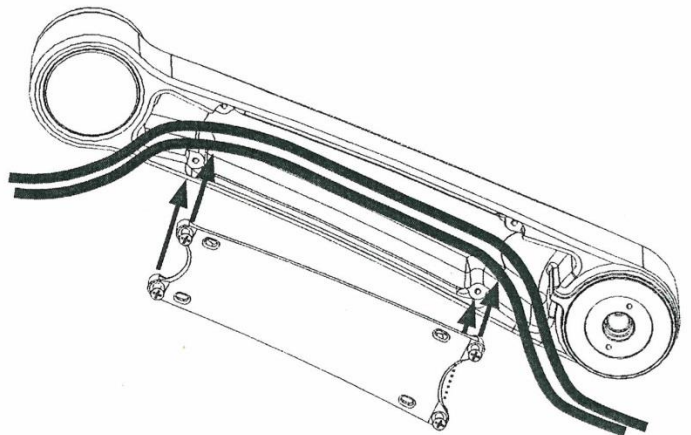
**Overview:**

- Standard Ultra A1 arm adds 10.5” of reach to the Ultra Series mounts.
- An excellent stand-alone mounting solution for device mounts.
- Machined out of billet aluminum for strength and durability.
- Powder coated for a tough, lasting finish that stands up to heavy use and rigorous disinfecting.
- Designed for pass through cable management for neater appearance.
- Provides 180° of horizontal rotation.
- Provides up to 270° of horizontal arm rotation at second joint on track mounts.
- Enables up to 360° horizontal rotation.
- Solid construction support up to 30 lbs.

**Step 1:**

**ULTRA CABLE MANAGEMENT**

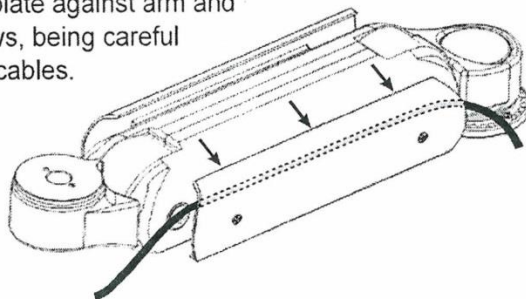
- Prepare all cables to route within the arm by placing them near cavity of arm and bundling together if necessary.
- Remove cover by unscrewing four socket head cap screws. Screws are captured by the cover so they cannot fall out. Once screws are disengaged, pull cover out of arm.
- Place cables within the channel. Do not block the holes where screws will engage in arm.
- Replace cover and tighten screws. Cables should be able to pull through to desired position if necessary.



**Step 2:**

**RUN CABLES THROUGH ARM**

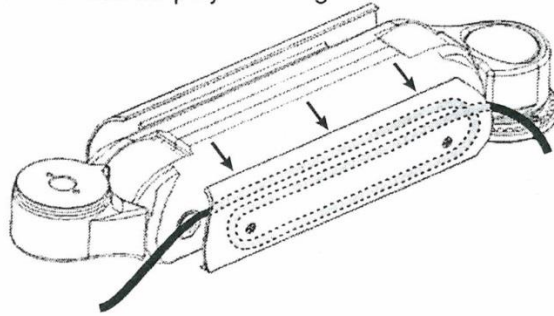
- Cover plate is spring loaded. Loosen cover plate screws on side of arm just enough to fit cables through gap.
- Run cables loosely between cover plate and arm. Cables can be run on either or both sides of the arm.
- Push cover plate against arm and tighten screws, being careful not to pinch cables.



Step 3:

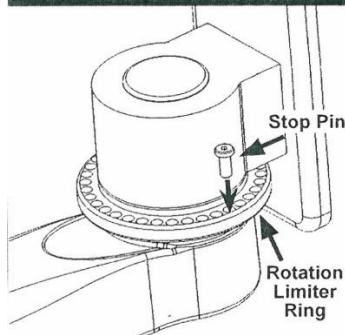
## STORE CABLE INSIDE COVER PLATE

Extra cable can be looped inside the cover plate to provide a neater appearance and simplify cleaning.

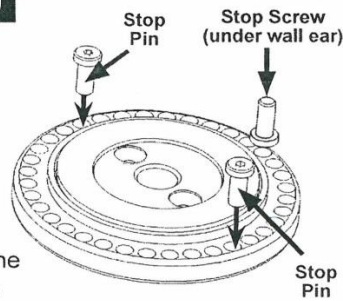


Step 4:

## ADJUST ROTATION LIMITS - UL180 INVERTED



The rotation limits for the arm are set by placing the stop pins in the holes corresponding to where you want the arm to stop. The stop pin then bumps the stop screw under the wall mount ear, stopping the arm. The stop pins can be removed and set by hand.



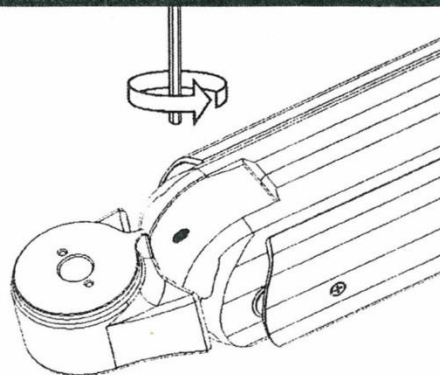
### Adjusting rotation limits for the standard UL180

Place Stop Pins the same way as shown for the UL180 Inverted. The Stop Screw is built into the arm rather than into the wall ear.

Step 5:

## ADJUST ARM TENSION

Using the 3/16" T-handle hex wrench provided, turn the screw in the UL180 arm clockwise to lighten the arm's load resistance, or counter-clockwise to increase the load resistance.



### Adjusting Arm Tension – Important

Extend the UL180 or UL182 straight out and be sure all equipment is mounted on the arm before adjusting the arm's resistance. Use the T-handle provided to adjust the arms' resistance. Do not use power tools to adjust.

**DO NOT ADJUST THE ARM TO SUPPORT MORE THAN 32 LBS. DOING SO MAY DAMAGE THE ARM.**

## **Specifications – Ultra 180**

Load Capacity – 32 lbs (14.5 kg)  
Vertical adjustment range – 16” (40.6 cm)  
Reach of 180 Arm – 16” (40.6 cm)  
Stowed depth – 10” (25.4 cm)  
Horizontal rotation at A1 joint - 270°

## **Warranty**

Creche Innovations warrants the Standard A1 Arm Mounted to Ultra 180 arm to be free from defect in materials and workmanship for a period of two years from the date of shipment to the user. To exercise your rights under this warranty, contact Creche Innovations.

## **Contact Information**

Creche Innovations  
17745 Metcalf  
Building One  
Stilwell, KS 66085  
[info@crecheinnovations.com](mailto:info@crecheinnovations.com)  
(913) 948-6290