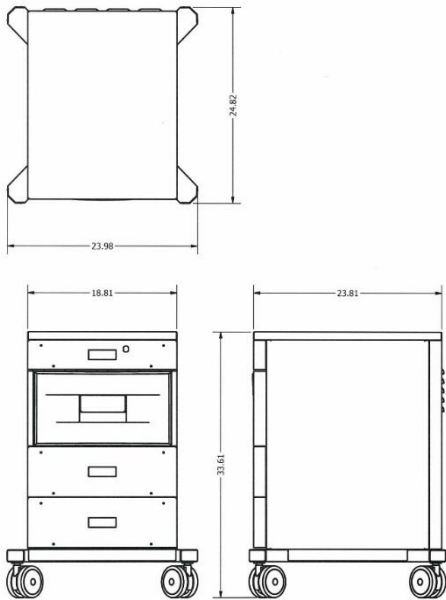


Procedure Cart with Built-In MicroCool™ Refrigerator

Medical-Grade, Temperature Proficient, Whisper® Quiet Technology™

Refrigeration Beyond Imagination

The MicroCool™ Procedure Cart is a fully customizable unit that can be used in any medical setting. Hospitals and clinics can improve patient outcomes by having all the supplies for general patient care in one, well-organized procedure cart with built-in refrigeration for efficient and effective application. Having the ability to keep all supplies and refrigerated items bedside improves nurse productivity, reduces errors/mix-ups, and allows staff to spend more time bedside caring for patients. The MicroCool™ Procedure Cart comes standard with: one medical-grade MicroCool™ Refrigerator, one key lockable supply drawer, two storage drawers, deluxe locking casters and the option to choose the procedure cart color scheme that best matches patient rooms or facility decor.



Procedure Cart Dimensions:

Height: 33.61 inches
Width: 23.98 inches
Depth: 24.82 inches
Top Workspace: 23.81 inches

Storage Drawer:

Height: 6.36 inches
Width: 18.75 inches
Depth: 23.81 inches

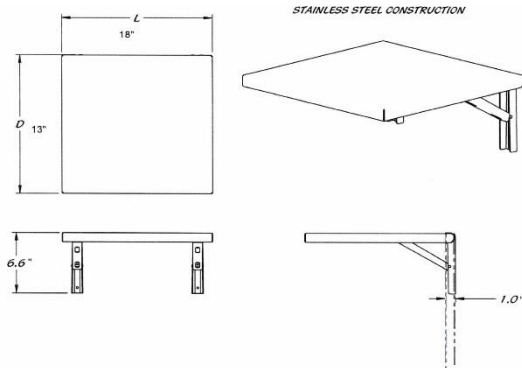
Refrigerator Dimensions:

Interior Drawer Height: 7.69 inches
Interior Drawer Width: 13.69 inches
Interior Drawer Depth: 13.06 inches
Storage Capacity: .79 cubic feet
Volume: 20 liters

Procedure Table Fold Down Shelf Dimensions:

Height: 6.6 inches
Width: 18 inches
Depth: 13 inches

Procedure Table Fold Down Shelf



For any additional specifications or refrigeration questions, please contact:

Creche Innovations
17745 Metcalf, Building One, Stilwell, KS 66085
Phone: (913) 948-6290 Fax: (913) 948-6296
www.Crecheinnovations.com



MicroCool™
Refrigerator